



Architect/Engineering Specifications:

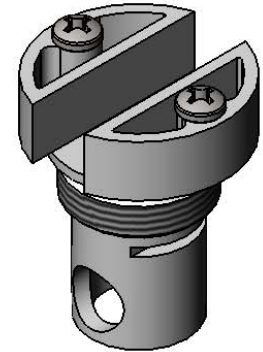
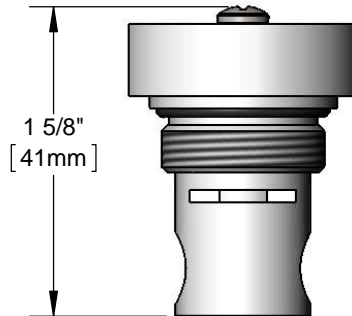
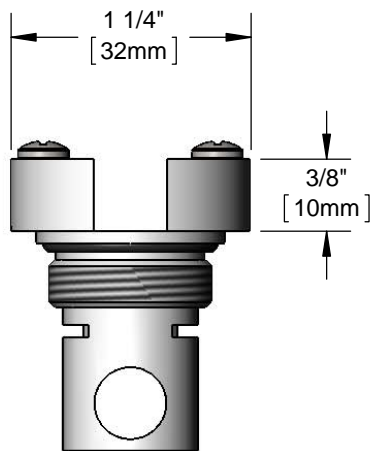
3/8" NPT Vacuum breaker repair kit with plastic insert, o-rings and piston. Certified to NSF 61-Section 9 and NSF 372.

Job Name _____

Model Specified _____ Quantity _____

Variations Specified _____

Date _____



Features & Benefits:

- 3/8" NPT vacuum breaker plastic insert
- O-rings
- 3/8" vacuum breaker piston
- Self-tapping screws
- Material: Plastic insert

Product Compliance:

- NSF 61 - Section 9
- NSF 372 (Low Lead Content)



Warranty: One Year (Limited)

Performance Data:

- N/A

