

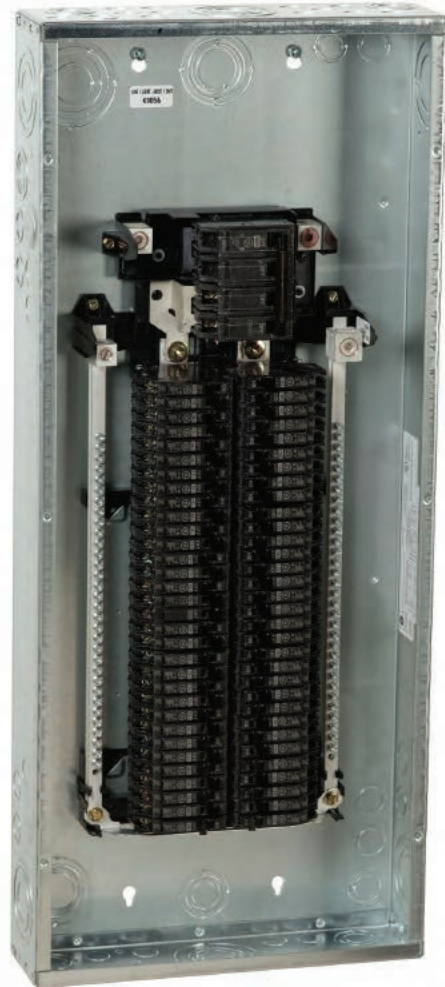


BUTLER
SUPPLY

PowerMark Gold^{*} Load Centers

High Capacity Load Centers

- 80 and 64 circuit capacity
 - All positions support our exclusive 1/2" breakers
 - Maximum flexibility for breaker placement
 - Main lug/convertible version has dual ground bars and large ground lug included
-
- UL Listed (Panelboards No. 67)
 - Service barriers included for factory installed main circuit breaker
 - Single Phase, Three Wire, 120/240 VAC, 22 kAIC Rated
 - 60°C/75°C Conductor Rating
 - Suitable for use as Service Entrance Equipment when installed in accordance with the National Electric Code



Technical Information

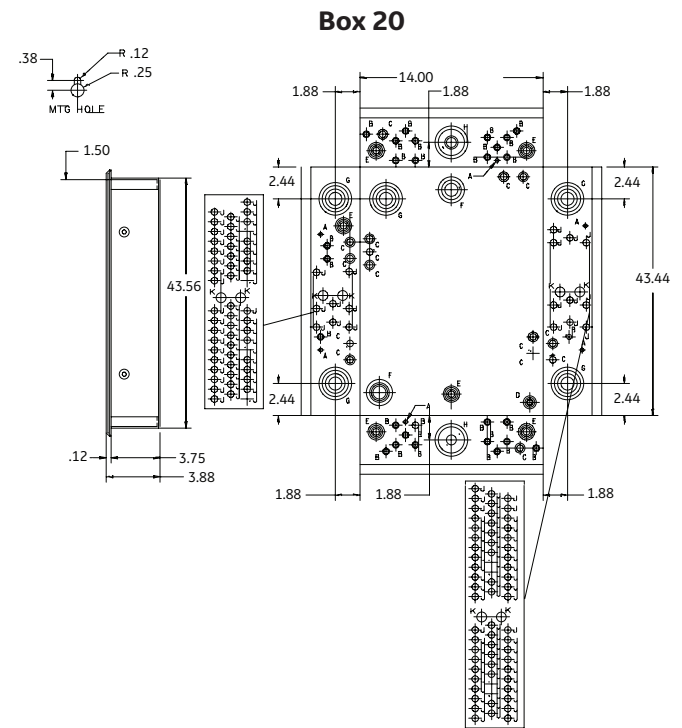
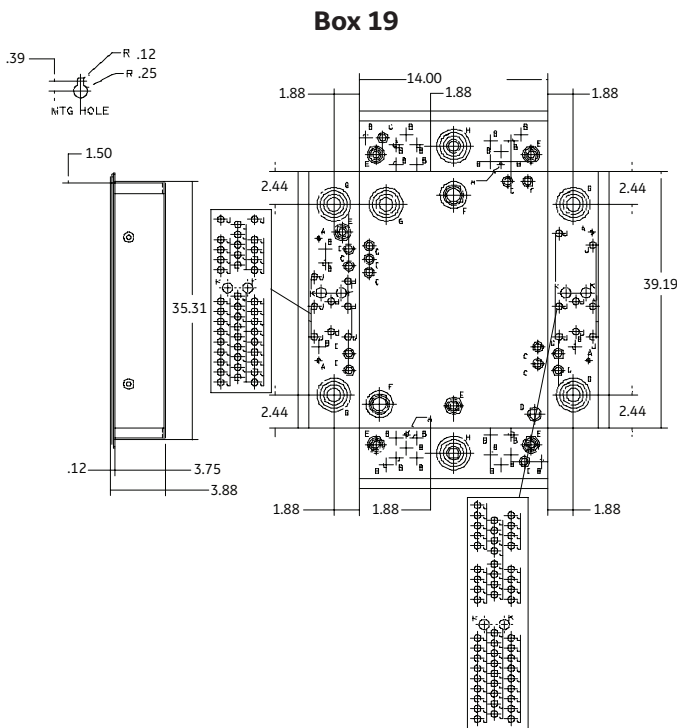
Main Ampere Rating	Maximum Spaces				Total 1-pole Spaces	Indoor Type 1 Enclosure		Main Style (Factory Installed)	Main Wire Size	Equipment Ground Kit(s)	Front Type
	1" THQL		1/2" THQP			Catalog No.	Box No.				
	1P	2P	1P	2P							
150	40	20	80	38	80	TM4015C80	20	Main Breaker	1-250 (Cu) 2/0-250 (Al)	Order separately if required	Comb. Flush/Surface
200	32	16	64	30	64	TM3220C64	19	Main Breaker	1-250 (Cu) 2/0-250 (Al)	Order separately if required	Comb. Flush/Surface
	40	20	80	38	80	TM4020C80	20	Main Breaker		Order separately if required	
200	40	20	80	38	80	TLM4020C80G2	20	Main Lugs	6-250	(2) TGK32 (1) TLK250	Comb. Flush/Surface
	32	16	64	30	64	TLM3220C64G2	19	Main Lugs		(2) TGK24 (1) TLK250	

Enclosure Dimensions (in.)

Box No.	Width	Height	Depth
19	15 3/8	36 4/5	3 3/4
20	15 3/8	40 5/9	3 3/4

Knockout Dimensions (in.)

A = 9/32	F = 1 X 1 1/4 X 1 1/2 X 2
B = 3/8 X 1/2	G = 1 X 1 1/2 X 2 X 2 1/2
C = 1/2 X 3/4	H = 3/4 X 1 X 1 1/4 X 1 1/2 X 2 X 2 1/2
D = 3/8 X 1/2 X 3/4 X 1	J = 1/2
E = 1/2 X 3/4 X 1 X 1 1/4	K = 3/4



Call your Butler Supply sales associate for more information.

or visit butlersupply.com

*Indicates a trademark of the General Electric Company and/or its affiliates. Information provided is subject to change without notice. Please verify all details with GE. All values are design or typical values when measured under laboratory conditions, and GE makes no warranty or guarantee, express or implied, that such performance will be obtained under end-use conditions. ©2017, General Electric Company and/or its affiliates. All rights reserved.